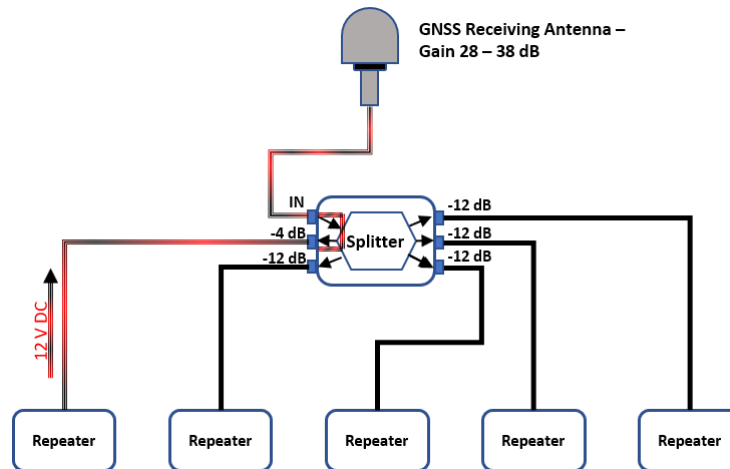




ROGER-GPS Splitter (GNSS-S-IP67)



With the ROGER-GPS Signal Splitter, the signal from one external antenna can be redistributed to up to five repeater units. The splitter works with GPS L1, GPS L2/GLONASS/ GALILEO frequency bands. The splitter is enclosed in an IP67 rated housing, and it has one chaining output and four repeater outputs. DC power is passed from the chaining output to the input connector for line amplifier and GNSS receiving antenna. It is advisable to use a separate amplifier with the signal splitter in order to ensure adequate transmission power to all five repeaters. If the signal is to be transmitted to fewer than five repeaters, the unused ports should be terminated. Termination should be done with ROGER-GPS Terminator 50 Ohm. The splitter is easy to use and permits a wide range of system configurations.



TECHNICAL SPECIFICATIONS		
Size	4.33 x 5.63 x 1.10 inches (220 X 148 x 39 mm)	
Weight	6.52 ounce (465 g)	
Connectors	1 TNC-female input / 5 TNC-female output	1 x -4dB with DC pass, 4 x -12 dB
Casing	IP67	
Operating Temperature	-13 to 131°F (-40 to + 75°C)	
Frequency Range	1,200 – 1,700 MHz	
Impedance	50 Ω	
Power Supply	None required	The Splitter is powered by the repeater through the coaxial cable.

High Tech Products – Outstanding Service

gnss-s-ip67_steffes