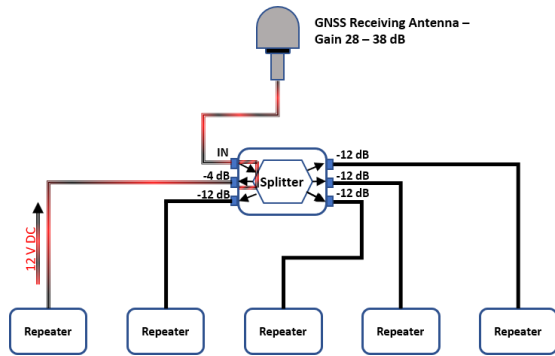




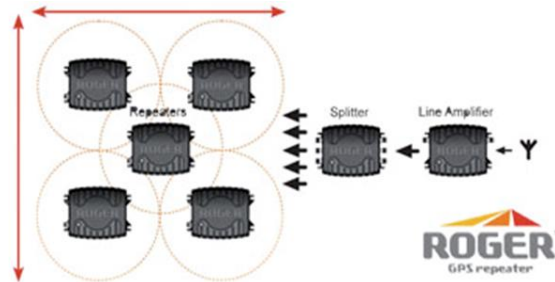
ROGER-GPS Splitter (GNSS-S)



With the ROGER-GPS Signal Splitter, the signal from one external antenna can be redistributed to up to five repeater units. It is advisable to use a separate amplifier with the signal splitter in order to ensure adequate transmission power to all the five repeaters. If the signal is to be transmitted to fewer than five repeaters, the unused ports should be terminated. Termination should be done with ROGER-GPS Terminator 50 Ohm.



Installation example



TECHNICAL SPECIFICATIONS		
Size	4.33 x 5.63 x 1.10 inches (110 X 143 x 28 mm)	
Weight	6.52 ounce (185 g)	
Connectors	1 TNC-female input / 5 TNC-female output	1 x -4dB with DC pass, 4 x -12 dB
Operating Temperature	-13 to 131°F (-25 to + 55°C)	
Frequency Range	1,200 – 1,700 MHz	
Impedance	50 Ω	
Power Supply	None required	The Splitter is powered by the repeater through the coaxial cable.

High Tech Products – Outstanding Service

gnss-s_steffes