



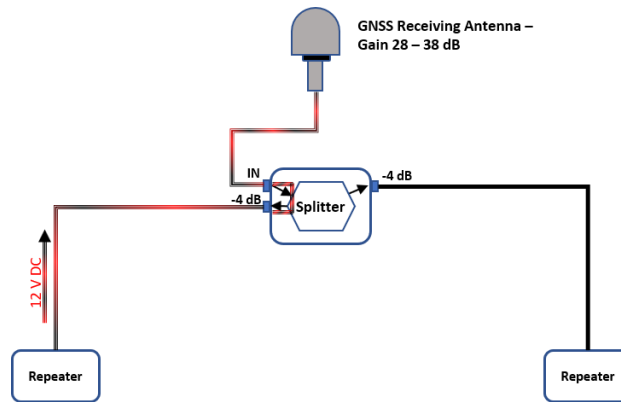
**ROGER-GPS Splitter 1 - 2 (GNSS-S2-IP67)**



The ROGER-GPS Signal Splitter 1 to 2, is a signal splitter enclosed in an IP67 rated housing that is used to distribute GNSS signals to up to two Repeaters or to any Roger GNSS equipment. Splitter works with GPS L1, GPS L2, Galileo and GLONASS frequency bands. It has one chaining output and two repeater outputs.

DC power is passed from the chaining output to the input connector for line amplifier and to GNSS receiving antenna. The ROGER-GPS Splitter 1 – 2 is a one to two signal splitter with an output of -4 dB (2 ports) that can transmit signal to up to two separate GNSS repeater units.

The splitter is easy to use and permits a wide range of system configurations.



TECHNICAL SPECIFICATIONS		
Size	8.66 x 5.82 x 1.53 inches (220 X 148 x 39 mm)	
Weight	13.58 ounce (385 g)	
Connectors	TNC-female	TNC female input, 2 x TNC female output -4 dB
Operating Temperature	-40 to 167°F (-40 to + 75°C)	
Casing	IP67	
Frequency Range	1,200 – 1,700 MHz	
Impedance	50 Ω	
Power Supply	None required	The Splitter is powered by the repeater through the coaxial cable.

*High Tech Products – Outstanding Service*