



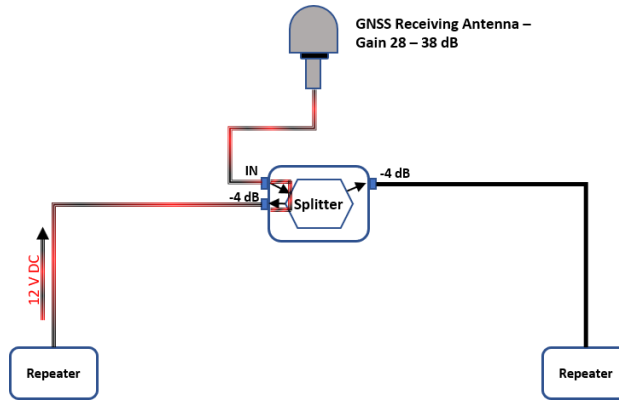
ROGER-GPS Splitter 1 - 2 (GNSS-S2)



The ROGER-GPS Signal Splitter 1 to 2, is a signal splitter that is used to distribute GNSS signals to up to two Repeaters or to any Roger GNSS equipment. Splitter works with GPS L1, GPS L2, Galileo and GLONASS frequency bands. It has one chaining output and two repeater outputs.

DC power is passed from the chaining output to the input connector for line amplifier and to GNSS receiving antenna. ROGER-GPS Splitter is a one to two signal splitter with an output of -4 dB (2 ports) that can transmit signal to up to two separate GNSS repeater units.

The splitter is easy to use and permits a wide range of system configurations.



TECHNICAL SPECIFICATIONS		
Size	4.33 x 5.63 x 1.10 inches (110 X 143 x 28 mm)	
Weight	6.52 ounce (185 g)	
Connectors	TNC-female	TNC female input, 2 x TNC female output -4 dB
Operating Temperature	-13 to 131°F (-25 to + 55°C)	
Frequency Range	1,200 – 1,700 MHz	
Impedance	50 Ω	
Power Supply	None required	The Splitter is powered by the repeater through the coaxial cable.

High Tech Products – Outstanding Service