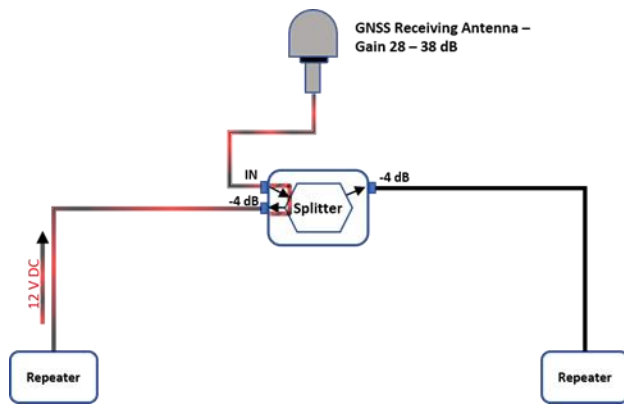


# ROGER™ GNSS Splitter 1 - 2

## GNSS-S2-IP67

**Key Features:**

The ROGER™-GNSS Signal Splitter 1 to 2 is a signal splitter that is used to distribute GNSS signals to two Repeaters or to other Roger™ GNSS equipment. The splitter works with BeiDou/Galileo/Glonass/GPS frequency bands. It has one antenna input port and two repeater outputs of which one is a chaining output.



DC power is passed from the chaining output to the input connector for a line amplifier and/or to the GNSS receiving antenna. The ROGER™-GNSS Splitter is a one to two signal splitter with an output of -4 dB (2 ports) that can transmit signal to up to two separate repeaters. The splitter is easy to use and permits a wide range of

system configurations.

Technical Specifications		
Size:	8.66 x 5.82 x 1.53" (220 x 148 x 39 mm)	
Weight:	13.58 oz (385 g)	
Operating Temperature:	-40 - +167° F (-40 - + 75° C)	
Connectors:	TNC-Female	1 x TNC Female in 2 x -4 dB TNC Female out (1 with DC passthrough)
Frequency range:	1164 – 1700 MHz	
Impedance:	50 Ω	
Power:	The splitter is powered through the output / DC input connector by the ROGER™ GNSS Repeater	

*High Tech Products – Outstanding Service*

© Steffe's & Company, 2025. All rights reserved. Other trademarks referenced are the property of their respective owners.

gnss-s2-ip67\_steffes\_1.2